

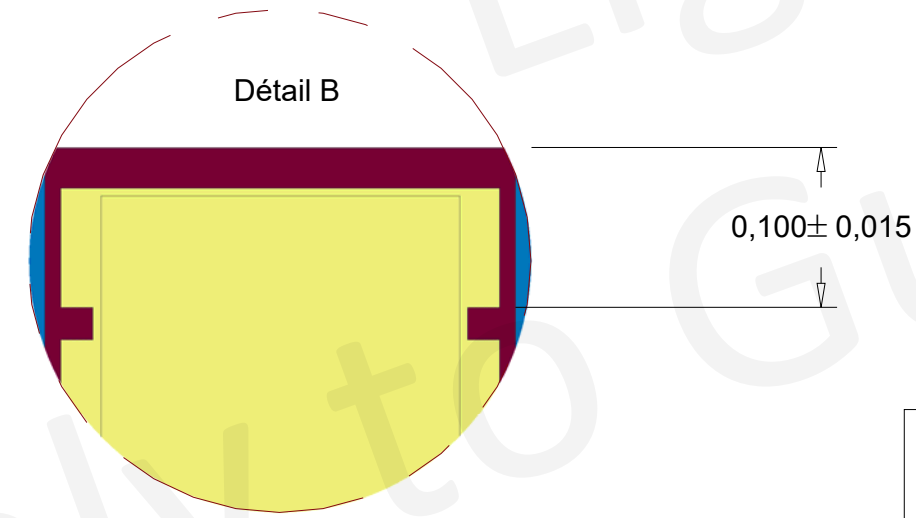
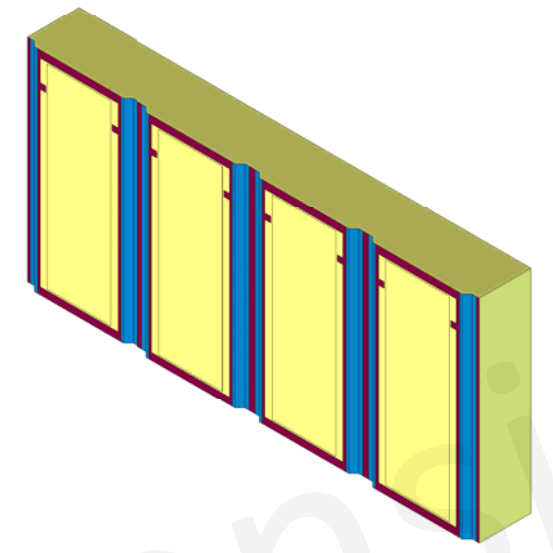
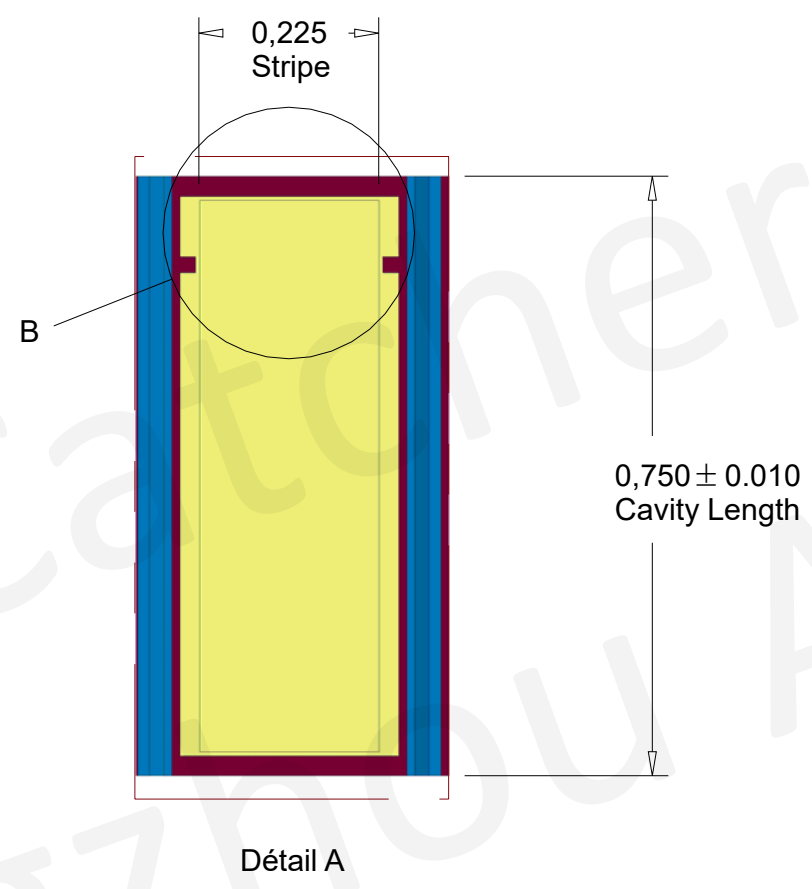
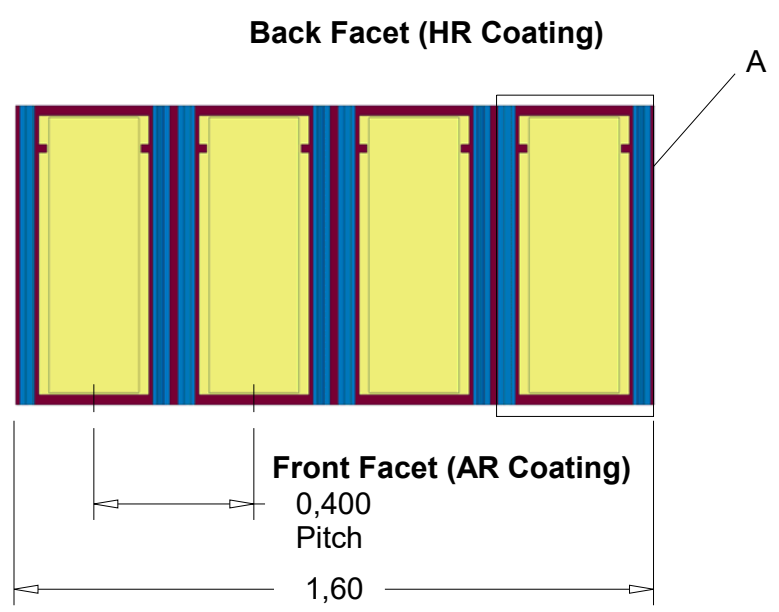
4

3

2

1

REVISION				
ECN	REV	DESCRIPTION	DATE	BY
579	0	Initial Release	12/11/19	DB



**CONFIDENTIAL**

- Notes:
- 1- The chips must be stored in stretched blue film, waffle Pak or specified Gel Pak boxes.
  - 2- Refer to P7500 for Specification of Laser Bars Coating.
  - 3- Refer to P8100 for visual acceptance criteria

<p>PROPRIETARY AND CONFIDENTIAL THE INFORMATION CONTAINED IN THIS DRAWING IS THE SOLE PROPERTY OF LASER COMPONENTS CANADA. ANY REPRODUCTION IN PART OR AS A WHOLE WITHOUT THE WRITTEN PERMISSION OF LASER COMPONENTS CANADA IS PROHIBITED.</p>			Unless Otherwise specified:	NAME	DATE	APPLICATION	
			Dimensions are in mm	DRAWN	D.BAPTIZET	08/11/2019	Laser Array
			Tolerances:	CHECKED	JF Boucher	22/10/2019	TITLE:
			x.x ± 0.1 x.xx ± 0.05 x.xxx ± 0.001 Angular: ± 0.5°	ENG APPR.			<b>9mil Triple Junction 4L Laser Chip with Trenches</b>
			INTERPRET GD&T PER: ASME Y14.5-2009	MFG APPR.			
			MATERIAL N/A	Q.A.			
	NEXT ASSY	USED ON	FINISH N/A			SIZE DWG. NO. REV#	
						<b>B D8000 0</b>	
						SCALE: 50:1 SHEET 1/1	

4

3

2

1